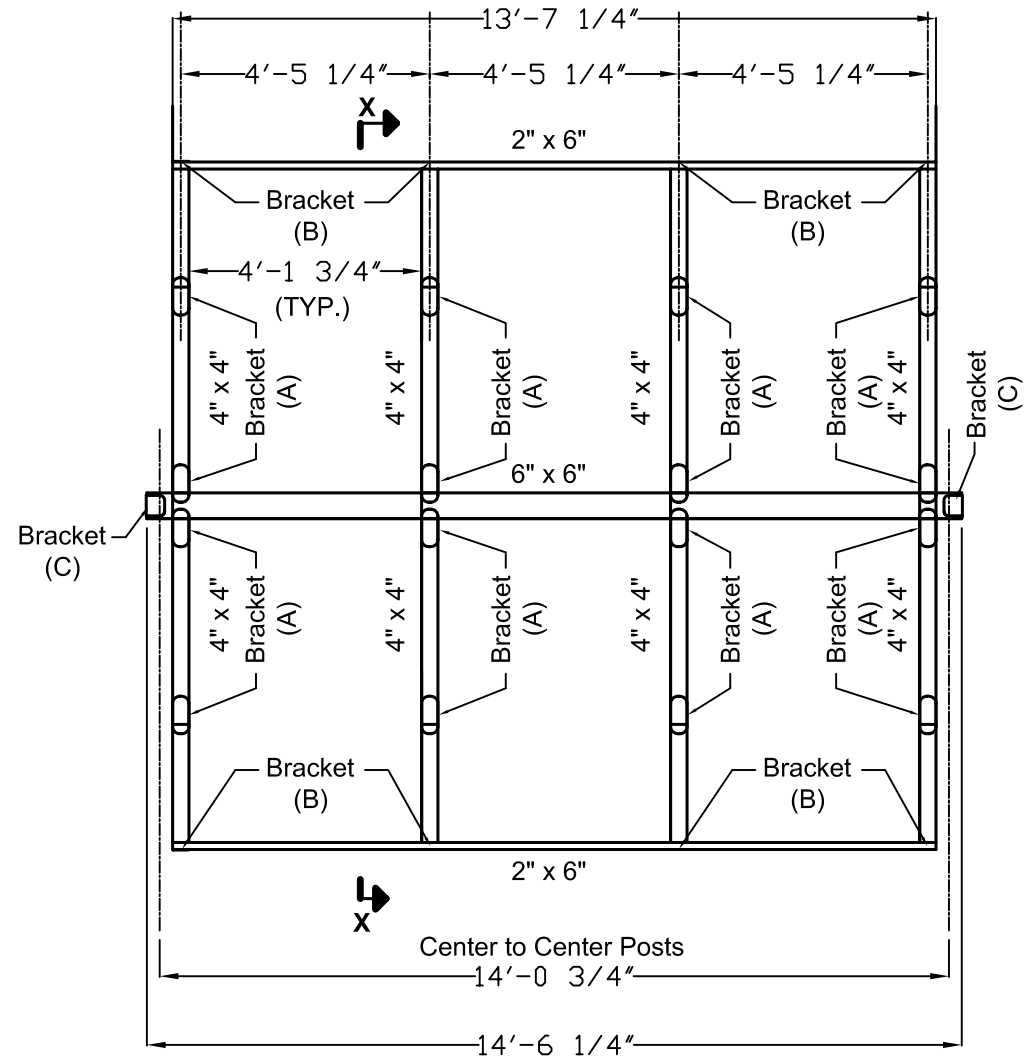


SECTION "X-X"



PLAN AT RIDGE BEAM

SHADE TREE °

Retractable Patio & Deck Canopies

6317 Busch Blvd • Columbus, Ohio 43229

Phones: 614-844-5990 • Fax: 614-844-6991

Corporate e-mail: info@shadetreecanopies.com • Design Hotline: 1-888-307-4233

FILE:

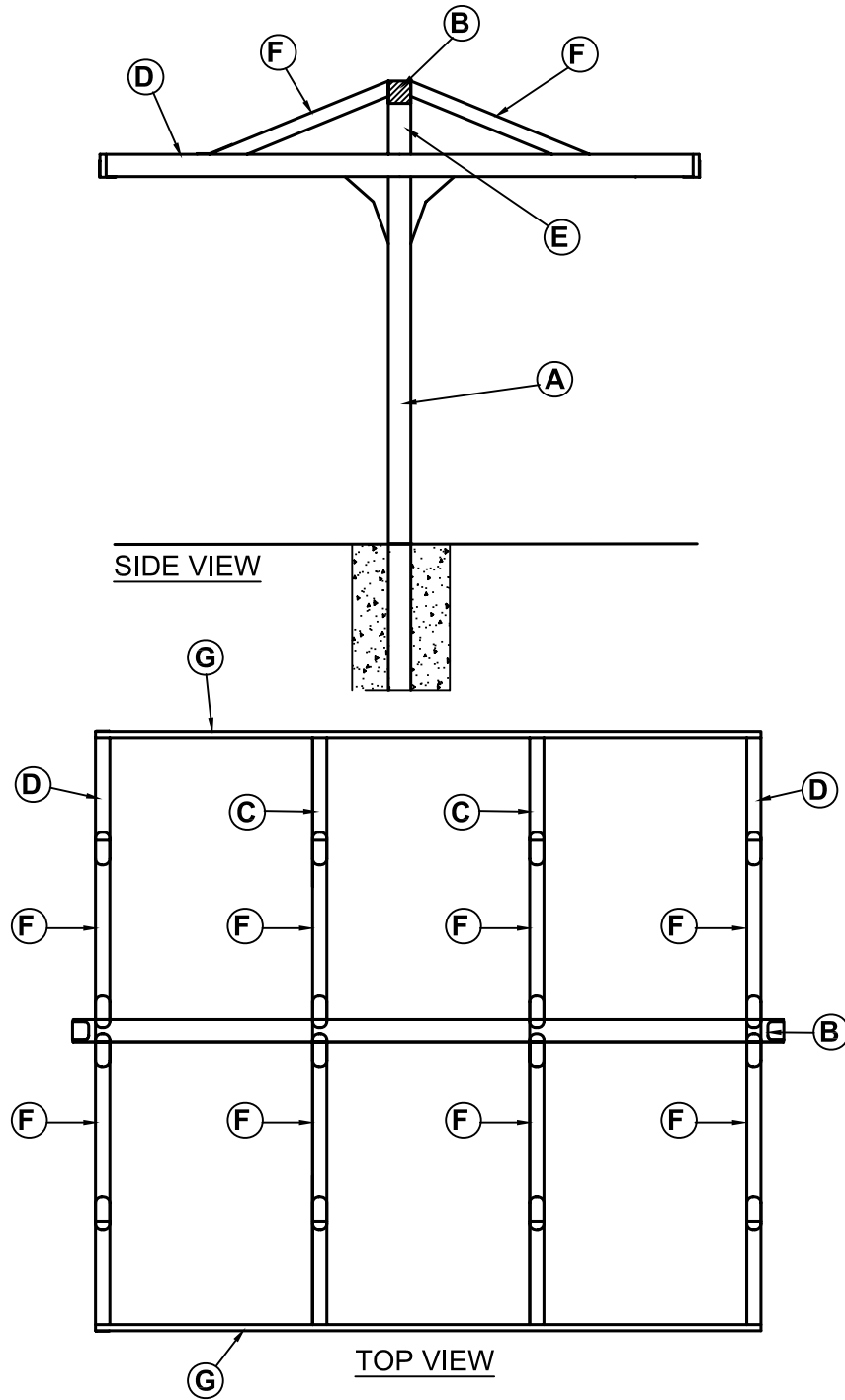
DATE:

SCALE: NOT TO SCALE

DRAWN BY: JOHN MOLNAR

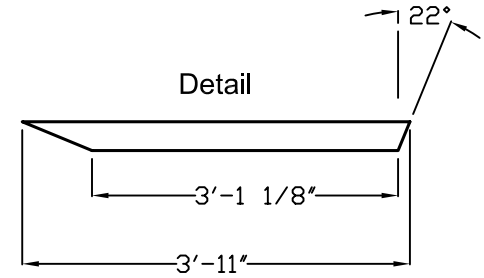
Double Cantilever Strip Track Canopy System

Double Cantilever Strip Track System



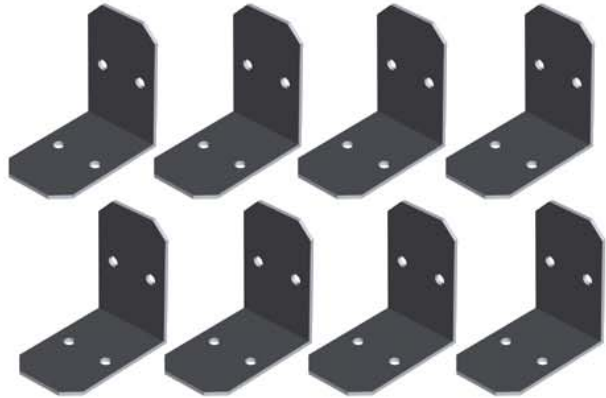
Quantity

2	{	(A)	6" x 6" x 12'-0" Post	☒		
		(A)	6" x 6" x 12'-0" Post	☒		
1	—	(B)	6" x 6" x 14'-6 1/4" Ridge Beam	☒		
2	{	(C)	4" x 6" x 12' Beam	☒		
		(C)	4" x 6" x 12' Beam	☒		
2	{	(D)	4" x 6" x 12' Beam	☒		
		(D)	4" x 6" x 12' Beam	☒		
2	{	(E)	4" x 6" x 2' Beam			
		(E)	4" x 6" x 2' Beam			
8	{	(F)	4" x 4" x 3'-11" Support	☒		
		(F)	4" x 4" x 3'-11" Support	☒		
		(F)	4" x 4" x 3'-11" Support	☒		
		(F)	4" x 4" x 3'-11" Support	☒		
2	{	(G)	2" x 6" x 13'-7 1/4" Header	☒		
		(G)	2" x 6" x 13'-7 1/4" Header	☒		

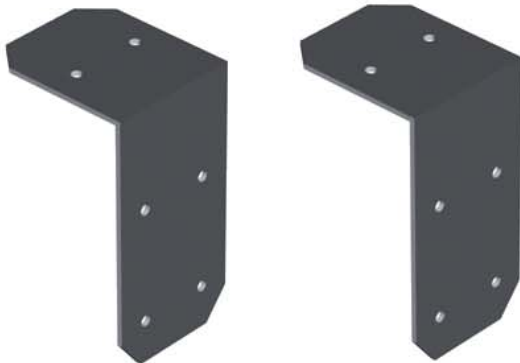




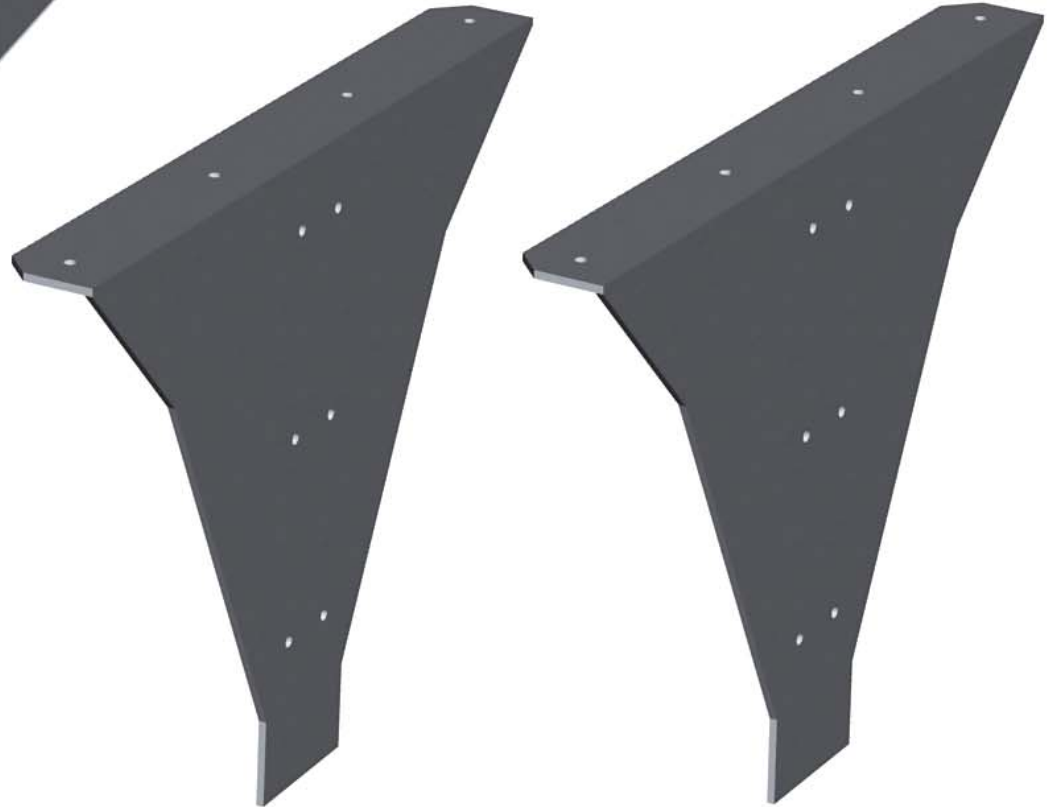
Bracket A (16)



Bracket B (8)



Bracket C (2)



Bracket F (2)

Double Cantilever Strip Track
Canopy System Bracket List

Wood Materials List to present to lumber company

2 - 6" x 6" x 12'

1 - 6" x 6" x 16'

4 - 4" x 6" x 12'

1 - 4" x 6" x 4'

4 - 4" x 4" x 8'

2 - 2" x 6" x 16'



SHADE TREE °

Retractable Patio & Deck Canopies

6317 Busch Blvd • Columbus, Ohio 43229

Phone: 614-844-5990 • Fax: 614-844-5991

Corporate e-mail: info@shadetreecanopies.com • Design Hotline: 1-888-307-4233

FILE:

DATE:

SCALE: NOT TO SCALE

DRAWN BY: JOHN MOLNAR

Double Cantilever Strip Track Canopy System